

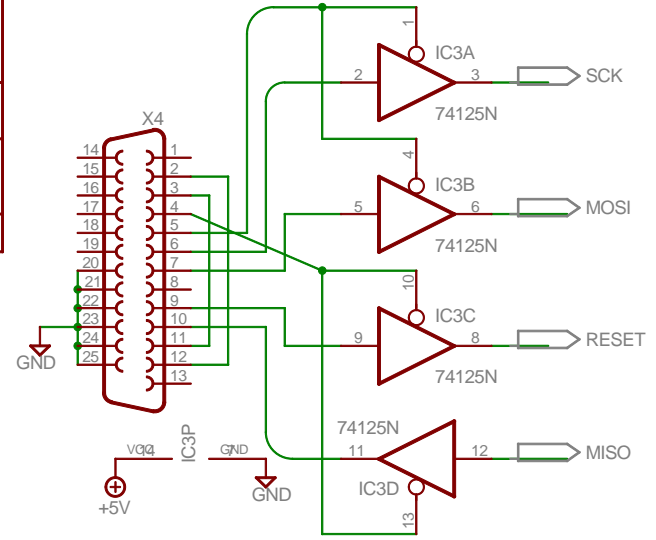
TITLE: starterkit

Document Number: starter kit board

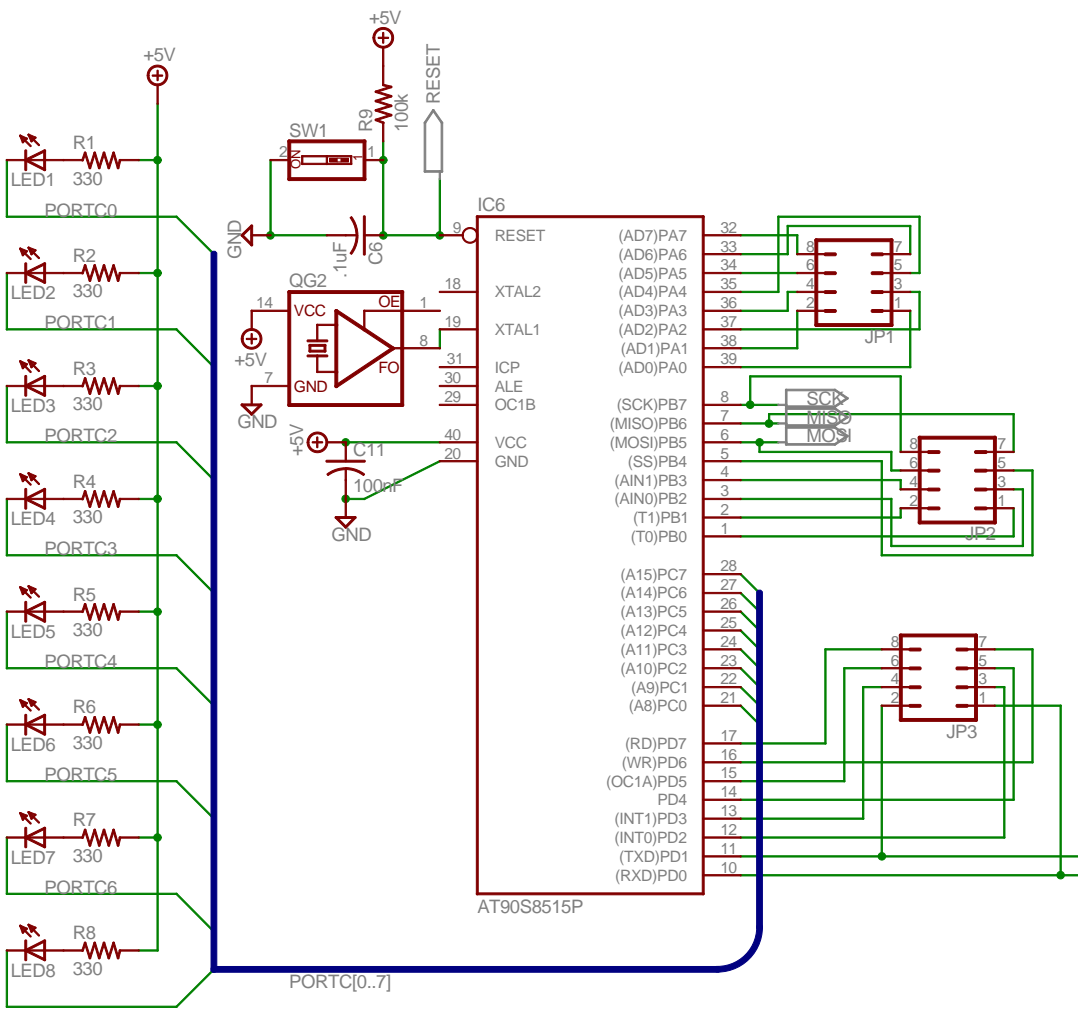
REV: 1.0

Date: 6/03/2004 11:42:16

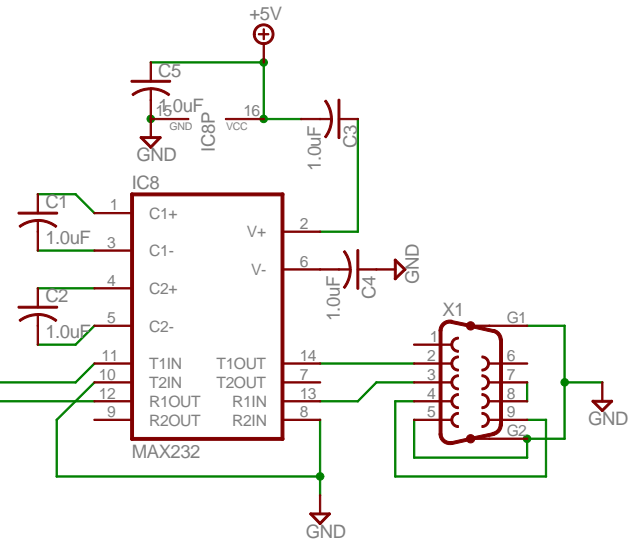
Sheet: 1/1



Programming Interface (AVRISP)



Voltage Comparitors and LEDs



RS232 Serial Communications